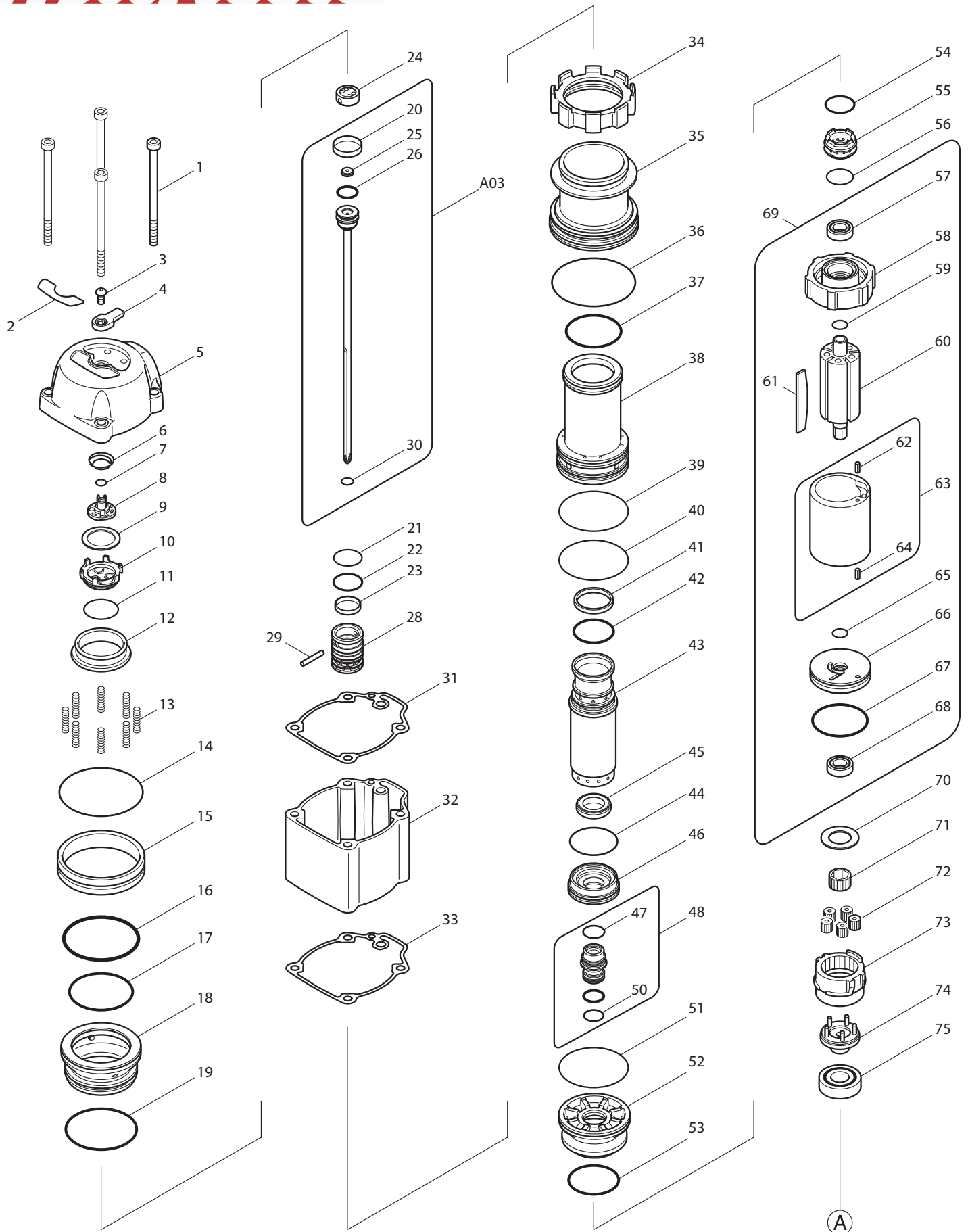
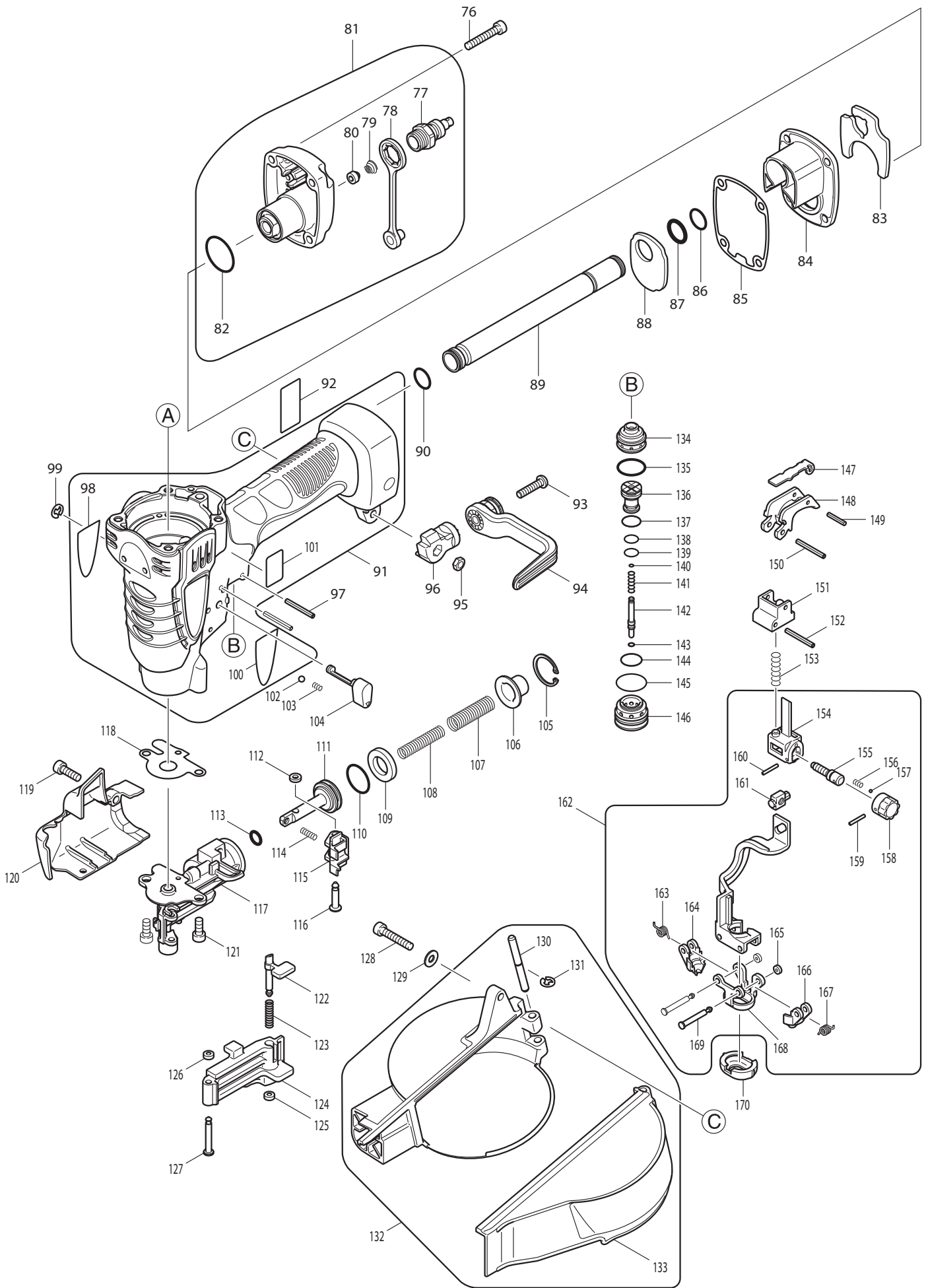




08 - 2010
AR410HR
HP AUTO FEED COIL SCREWDRIVER





Item No	Type	Ref	Ref P.	Part No	Description	Qty	Unit
1				266431-5	HEX SOCKET HEAD BOLT M5X80	4	PC.
2				816897-5	INDICATION LABEL	1	PC.
3				266430-7	H.S. BUTTON HEAD BOLT M4X8	1	PC.
4				450334-5	KNOB	1	PC.
5				318233-6	TOP CAP	1	PC.
6				233962-9	CONICAL COMPRESSION SPRING 10-15	1	PC.
7				213045-1	O-RING 6	1	PC.
8				162263-7	CHANGE VALVE	1	PC.
9				267365-5	FLAT WASHER 19	1	PC.
10				424149-6	REAR CUSHION	1	PC.
11				213373-4	O RING 22	1	PC.
12				424072-5	SEAL RING	1	PC.
13				234079-1	COMPRESSION SPRING 4	8	PC.
14				213496-8	O-RING 54	1	PC.
15				331851-3	CYLINDER STAY	1	PC.
16				213145-7	O RING 47	1	PC.
17				213143-1	O RING 40	1	PC.
18				450306-0	HEAD VALVE	1	PC.
19				213144-9	O-RING 45	1	PC.
20				262146-2	RUBBER RING 16	1	PC.
21				213265-7	O RING 17	1	PC.
22				213275-4	O RING 18	1	PC.
23				262145-4	RUBBER RING 16	1	PC.
24				324951-6	PISTON CAP	1	PC.
25				424151-9	REAR CUSHION	1	PC.
26				213140-7	O-RING 11	1	PC.
28				325592-1	MAIN PISTON	1	PC.
29				268227-0	PIN 3	1	PC.
30				213026-5	O RING 7	1	PC.
31				162260-3	TOP CAP GASKET	1	PC.
32		1		318235-2	TOP CAP SPACER	1	PC.
		2		318859-4	TOP CAP SPACER	1	PC.
33				162260-3	TOP CAP GASKET	1	PC.
34				424073-3	CYLINDER SEAL	1	PC.
35				450304-4	OUTER CYLINDER	1	PC.
36				213496-8	O-RING 54	1	PC.
37				213497-6	O-RING 31.5	1	PC.
38				450303-6	SEPARATER	1	PC.
39				213495-0	O-RING 45	1	PC.
40				213495-0	O-RING 45	1	PC.
41				262140-4	RUBBER RING 23	1	PC.
42				213987-9	O-RING 25	1	PC.
43				331845-8	CYLINDER	1	PC.
44				213989-5	O-RING 30	1	PC.
45				424171-3	CUSHION RING	1	PC.
46				324949-3	CUSHION GUIDE	1	PC.
47				213185-5	O-RING 12.5	1	PC.
48				135211-9	FRONT CUSHION ASS'Y	1	PC.
			INC.		Item No. 47,50		
50				213118-0	O RING 12	1	PC.
51				213495-0	O-RING 45	1	PC.
52				450302-8	OUTER SEPARATER	1	PC.
53				213990-0	O-RING 31.5	1	PC.
54				213261-5	O RING 17	1	PC.
55				450301-0	INNER SEPARATER	1	PC.
56				213223-3	O RING 16	1	PC.
57				211099-2	BALL BEARING 689ZZ	1	PC.
58				450300-2	UPPER DRUM CAP	1	PC.
59				213062-1	O RING 9	1	PC.
60				324855-2	ROTER	1	PC.
61				413117-4	BLADE	5	PC.
62				258024-2	SPRING PIN 2.5-5	1	PC.
63				135193-5	DRUM ASSY	1	PC.
			INC.		Item No. 62,64		

Item No	Type	Ref	Ref P.	Part No	Description	Qty	Unit
64				258024-2	SPRING PIN 2.5-5	1	PC.
65				213062-1	O RING 9	1	PC.
66				450299-1	LOWER DRUM CAP	1	PC.
67				213991-8	O-RING 35	1	PC.
68				211099-2	BALL BEARING 689ZZ	1	PC.
69				135194-3	AIR MOTOR ASS'Y	1	PC.
		INC.			Item No. 57-61,63,65-68		
70				267215-4	FLAT WASHER 15	1	PC.
71				227186-7	SPUR GEAR 21	1	PC.
72				227187-5	SPUR GEAR 10	5	PC.
73				227185-9	INTERNAL SPUR GEAR 44	1	PC.
74				158512-8	CARRIER COMPLETE	1	PC.
75				211138-8	BALL BEARING 6001LLU	1	PC.
76				922252-2	HEX. SOCKET HEAD BOLT M5X30	4	PC.
77				243106-3	PLUG	1	PC.
78				286281-2	CAP 9	1	PC.
79				233961-1	CONICAL COMPRESSION SPRING5-10	1	PC.
80				424075-9	SHEET PACKING	1	PC.
81				135190-1	INLET CAP ASSY	1	PC.
		INC.			Item No. 77-80,82		
82				213987-9	O-RING 25	1	PC.
83				413119-0	FILTER	1	PC.
84				450311-7	INLET CAP SPACER	1	PC.
85				162261-1	INLET CAP GASKET	1	PC.
86				213162-7	O RING 14	1	PC.
87				213154-6	O RING 14	1	PC.
88				413124-7	INLET FILTER	1	PC.
89				331803-4	PIPE 13	1	PC.
90				213162-7	O RING 14	1	PC.
91				188678-0	HOUSING SET	1	PC.
		INC.		810473-7	CAUTION LABEL	1	PC.
		INC.			Item No.98,100,101		
92				866088-8	AR410HR NAME PLATE	1	PC.
93				265176-2	PAN.HD.SCREW M5X22	1	PC.
94				419843-3	HOOK	1	PC.
95				931202-6	HEX. NUT M5	1	PC.
96				162255-6	HOOK BASE	1	PC.
97				951075-1	SPRING PIN 3-28	2	PC.
98				819330-6	MAKITA LOGO LABEL R	1	PC.
99				961011-9	STOP RING E-4	1	PC.
100				819331-4	MAKITA LOGO LABEL L	1	PC.
101				816918-3	INDICATION LABEL	1	PC.
102				216008-6	STEEL BALL 4	1	PC.
103				231236-2	COMPRESSION SPRING 3	1	PC.
104				162189-3	LOCK PIN 6	1	PC.
105				962103-7	RETAINING RING R-24	1	PC.
106				345781-2	CUP WASHER	1	PC.
107				234046-6	COMPRESSION SPRING 10	1	PC.
108				234045-8	COMPRESSION SPRING 9	1	PC.
109				262123-4	RUBBER RING 14	1	PC.
110				213971-4	O-RING 19	1	PC.
111	1			324854-4	FEED PINTON - N/A	1	PC.
	2			326115-8	FEED PINTON	1	PC.
112				262130-7	URETHANE RING 4	1	PC.
113				213007-9	O RING 8	1	PC.
114				234042-4	COMPRESSION SPRING 3	1	PC.
115				310246-3	FEEDING CLAW	1	PC.
116				268193-1	PIN 4.5	1	PC.
117				158515-2	DRIVER GUIDE COMPLETE	1	PC.
118				162262-9	DRIVER GUIDE GASKET	1	PC.
119				266086-6	HEX. SOCKET HEAD BOLT M5X16	1	PC.
120				450315-9	CONTACT ARM COVER	1	PC.
121				922212-4	HEX. SOCKET HEAD BOLT M5X12	2	PC.
122				310217-0	LOCK PIN	1	PC.

Item No	Type	Ref	Ref P.	Part No	Description	Qty	Unit
123				234003-4	COMPRESSION SPRING 5	1	PC.
124				419814-0	DOOR	1	PC.
125				262120-0	URETHANE RING 3	1	PC.
126				262120-0	URETHANE RING 3	1	PC.
127				268174-5	PIN 4	1	PC.
128				922246-7	HEX. SOCKET HEAD BOLT M5X28	1	PC.
129				267343-5	FLAT WASHER 5	1	PC.
130				256774-3	PIN 5	1	PC.
131				961011-9	STOP RING E-4	1	PC.
132				135261-4	MAGAZINE ASS'Y	1	PC.
		INC.		810474-5	CAUTION LABEL (FR/ES)	1	PC.
		INC.			Item No. 130,131,133		
133				158910-6	MAGAZINE CAP COMPLETE	1	PC.
		INC.		808206-2	AR410HR MAGAZINE CAP LABEL	1	PC.
134				450788-6	TRIGGER VALVE GUIDE	1	PC.
135				213275-4	O RING 18	1	PC.
136				450310-9	PILOT VALVE	1	PC.
137				213134-2	O-RING 11	1	PC.
138				213984-5	O-RING 8	1	PC.
139				213985-3	O-RING 8	1	PC.
140				213986-1	O-RING 2	1	PC.
141				234081-4	COMPRESSION SPRING 3	1	PC.
142				325875-9	TRIGGER VALVE STEM	1	PC.
143				213034-6	O RING 3	1	PC.
144				213187-1	O-RING 13.5	1	PC.
145				213310-8	O RING 20	1	PC.
146				450308-6	TRIGGER VALVE CASE	1	PC.
147				344265-7	IDLER	1	PC.
148				450344-2	TRIGGER	1	PC.
149				258004-8	SPRING PIN 2.5-16	1	PC.
150				951075-1	SPRING PIN 3-28	1	PC.
151				450314-1	HOLDER	1	PC.
152				951075-1	SPRING PIN 3-28	1	PC.
153				234044-0	COMPRESSION SPRING 6	1	PC.
154				310247-1	STOPPER	1	PC.
155				324745-9	ADJUSTER SHAFT	1	PC.
156				233491-2	COMPRESSION SPRING 2	1	PC.
157				216031-1	STEEL BALL 2.3	1	PC.
158				158747-1	ADJUSTER COMPLETE	1	PC.
159				951010-9	SPRING PIN 2-14	1	PC.
160				951010-9	SPRING PIN 2-14	1	PC.
161				310201-5	ADJUSTER PIECE	1	PC.
162				135301-8	CONTACT ARM ASSY	1	PC.
		INC.		310419-8	CONTACT ARM	1	PC.
		INC.			Item No. 154-161,163-169		
163				233511-2	TORSION SPRING 4	1	PC.
164				310222-7	CHUCK	1	PC.
165				261118-4	WASHER	2	PC.
166				310221-9	CHUCK	1	PC.
167				233511-2	TORSION SPRING 4	1	PC.
168				310220-1	CONTACT TOP	1	PC.
169				268173-7	PIN 3.5	2	PC.
170				424005-0	NOSE ADAPTER	1	PC.
173	Opt.			135212-7	Trigger valve ass'y	1	PC.
		INC.			Item No. 134-146		
C01				849749-5	CARTON F/AR410HR	1	PC.

Item No	Type	Ref	Ref P:Part No	Description	Qty	Unit
<u>ACCESSORIES</u>		- See catalogue or visit www.makita.ca for more optional accessories -				
A01			195246-2	SAFETY GOGGLE	1	PC.
A02			194381-3	OIL SUPPLY SET, 30ML	1	PC.
A03			195873-5	DRIVER BIT SET	1	PC.
	INC.		424502-6	URETHAN RING	1	PC.
	INC.			Item No. 20,25,26,30		
A04			783202-0	HEX. WRENCH 4	1	PC.
A05			824864-6	PLASTIC CARRYING CASE	1	PC.
	INC.		163455-1	LATCH	2	PC.
	INC.		419360-3	HANDLE	1	PC.
A06			194738-8	AIR LEAK REPAIR SET	1	PC.
	INC.			Item No. 16,17,19,37,135,137-140,143-145		
A07			B-80020	HIGH PRESSURE HOSE 30M(100')	1	PC.
			B-80014	HIGH PRESSURE HOSE 15M(50')	1	PC.
			B-80036	HIGH PRESSURE HOSE 7.5M(25')	1	PC.